



ALUMATIC CANS PVT. LTD.





ALUMATIC CANS PVT. LTD. was established in 2011 and started manufacturing Aluminium Aerosol cans in Dec. 2012. ALUMATIC CANS PVT LTD manufactures monobloc Aerosol Cans from high quality Aluminium slugs.

COMPANY PROFILE

ALUMATIC CANS PVT. LTD. is currently one of the biggest producer of aluminium aerosol cans in India. Our vision is to remain the largest producer of aluminum aerosol cans in India. Our product includes Aluminium Rigid Can and Vitamin container. We have invested in the state of the art 200 can per min high speed line.

We are equipped with a 9 color PSG line having a Schuler press and a 40 station Hinterkopf Necker capable of a variety of shapes, embossing and debossing.

ALUMATIC CANS PVT. LTD. has the widest range of monobloc aerosol cans (Diameters, Heights, Shoulders and Print Finishes).

Location : ALUMATIC CANS PVT. LTD. is situated on the NH4 about 70 km from Pune and 230 km from Mumbai. The location is apt for its proximity to JNPT Port, South and West corridor of India.

OUR MISSION

To supply high Quality Monobloc Cans to our esteemed clients. We believe in a long term association with all our clients and supplies.

PRODUCTS

We manufacture monobloc cans conforming to FEA standards.

Shoulders:

- 1) Round
 - 2) Flat
 - 3) Gorge
 - 4) Step
 - 5) Other shoulders
- as per clients requirements

Shape cans

Aluminium Rigid Can :

- 1) Pencil Containers
- 2) Vitamin Containers
- 3) Attar Containers



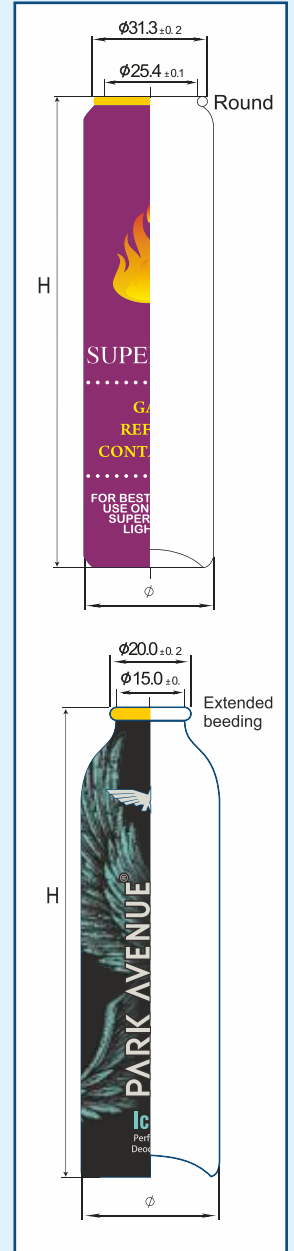


Aluminium Monobloc Aerosol Can : Ø 35 & 40 mm

Diameter Ø	Dimension Ø x H	Opening		Brimful Capacity	Types of Shoulder			
------------	-----------------	---------	--	------------------	-------------------	--	--	--

mm	mm	mm	mm	ml	Round	Flat	Gorge	Shape
35	35 x 65	25.4	x	65	✓	x	x	x
	35 x 85	25.4	x	72	✓	x	x	x
	35 x 97	25.4	x	82	✓	x	x	x
	35 x 105	25.4	15.0	93	✓	x	x	x
	35 x 120	25.4	15.0	101	✓	x	x	x
	35 x 125	25.4	15.0	104	✓	x	x	x
	35 x 130	25.4	15.0	109	✓	x	x	x
	35 x 135	25.4	15.0	113	✓	x	x	x
	35 x 140	25.4	15.0	118	✓	x	x	x
	35 x 150	25.4	15.0	127	✓	x	x	x

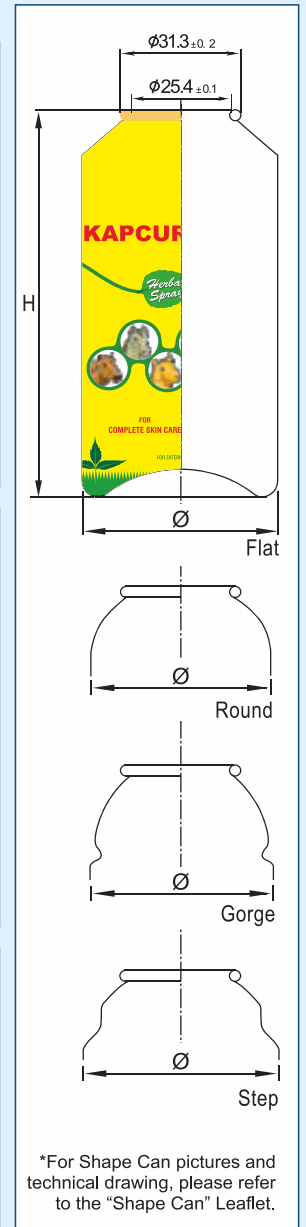
mm	mm	mm	ml	Round	Flat	Gorge	Shape
40	40 x 85	25.4	89	✓	x	x	x
	40 x 100	25.4	107	✓	x	x	x
	40 x 110	25.4	119	✓	x	x	x
	40 x 125	25.4	137	✓	x	x	x
	40 x 129	25.4	144	✓	x	x	x
	40 x 135	25.4	150	✓	x	x	x
	40 x 145	25.4	162	✓	x	x	x
	40 x 150	25.4	168	✓	x	x	x
	40 x 160	25.4	179	✓	x	x	x





Aluminium Monobloc Aerosol Can : Ø 45, 50 & 53 mm

Diameter Ø	Dimention Ø x H	Opening		Brimful Capacity	Types of Shoulder			
		mm	mm		Round	Flat	Gorge	Shape
45	45 x 85	25.4	x	112	✓	✓	✓	x
	45 x 100	25.4	x	130	✓	✓	✓	x
	45 x 110	25.4	x	145	✓	✓	✓	✓
	45 x 125	25.4	15.0	168	✓	✓	✓	✓
	45 x 129	25.4	15.0	175	✓	✓	✓	✓
	45 x 135	25.4	15.0	183	✓	✓	✓	✓
	45 x 145	25.4	15.0	199	✓	✓	✓	✓
	45 x 150	25.4	15.0	206	✓	✓	✓	✓
	45 x 160	25.4	15.0	221	✓	✓	✓	✓
	45 x 190	25.4	15.0	260	✓	✓	✓	✓
50	50 x 110	25.4		177	✓	✓	x	x
	50 x 125	25.4		206	✓	✓	x	✓
	50 x 135	25.4		225	✓	✓	x	✓
	50 x 140	25.4		234	✓	✓	x	✓
	50 x 145	25.4		244	✓	✓	x	✓
	50 x 150	25.4		253	✓	✓	✓	✓
	50 x 160	25.4		272	✓	✓	✓	✓
	50 x 170	25.4		291	✓	✓	✓	✓
	50 x 180	25.4		310	✓	✓	✓	✓
	50 x 205	25.4		350	✓	✓	✓	✓
	53	53 x 110	25.4		195	✓	✓	✓
53 x 125		25.4		220	✓	✓	✓	✓
53 x 135		25.4		230	✓	✓	✓	✓
53 x 140		25.4		250	✓	✓	✓	✓
53 x 145		25.4		275	✓	✓	✓	✓
53 x 150		25.4		286	✓	✓	✓	✓
53 x 180		25.4		350	✓	✓	✓	✓
53 x 205		25.4		365	✓	✓	x	✓





Aluminium Monobloc Aerosol Cans Shoulder Type

SPECIFICATION (± 0.02mm)	Ø 35			Ø 40	Ø 45	
MODEL	Ø 35	Ø 35	Ø 35	Ø 40	Ø 45	Ø 45
SHOULDER TYPE	Round	Pencil Container	Extended Beeding	Round	Gorge Tapper	NV Shape
IMAGE						
MIN. - MAX.	65-140	70-130	120-140	85-140	100-160	100-160

SPECIFICATION (± 0.02mm)	Ø 45			Ø 50		
MODEL	Ø 45	Ø 45	Ø 45	Ø 50	Ø 50	Ø 50
SHOULDER TYPE	Round	Tapper SMT	Gorge Round	Round	SMT Shape	LV Round Shape
IMAGE						
MIN. - MAX.	85-160	100-160	100-160	110-180	110-180	110-180



Aluminium Monobloc Aerosol Cans Shoulder Type

SPECIFICATION (± 0.02mm)	Ø 53							
MODEL	Ø 53	Ø 53	Ø 53	Ø 53	Ø 53	Ø 53	Ø 53	Ø 53
SHOULDER TYPE	Round	Flat	Gorge	Step Shape	LV Shape	SMT Shape	SMT Round Shape	LV Round Shape
IMAGE								
MIN. - MAX.	110-205	110-205	125-205	120-205	110-225	110-205	110-205	110-205

Application of Monobloc Aerosol Cans

Cosmetics :

- Body Deodorants
- Perfumes
- Room Fresheners
- Shaving foams
- Hair Colours
- Car Air Fresheners
- Toiletries

Industrial Products :

- Rust Release Sprays
- Lighter Gas (Butane Refills)
- Paint Sprays
- Polish Sprays
- Insect repellent sprays

Pharmaceutical products :

- Pain relief spray
- Veterinary Products





Aluminium Aerosol Can - Shape Can

DIAMETER Ø 45 - Ø 53

Ø 45 LV Round

Diameter Ø	Min. Height	Max. Height
45	110	190

Ø 45 LV

Diameter Ø	Min. Height	Max. Height
45	120	190

Ø 53 LV

Diameter Ø	Min. Height	Max. Height
53	110	210

Ø 53 SMT

Diameter Ø	Min. Height	Max. Height
53	110	210

Ø 53 SMT Step

Diameter Ø	Min. Height	Max. Height
53	110	210

Ø 53 LV Round

Diameter Ø	Min. Height	Max. Height
53	110	210



ALUMATIC CANS PVT. LTD.

Regd. Office: 104 , City Centre, Synagogue Street, Pune
Cantonment, Camp, Pune-411001.
Ph : 020 - 30481200

Factory: Gat No. 1083, 1084, 1085, 1087 & 1088, Kesurdi Phata,
Pargaon- Khandala, Dist- Satara 412802.

Phone : +91 9822191011 | **Email :** tanveer@alumatic.in | **Website :** www.alumatic.in